

**JOHN DEERE**  
**WORLDWIDE COMMERCIAL & CONSUMER**  
**EQUIPMENT DIVISION**

---

**Professional Greens Mower**  
**2500, 2500A, and 2500E**

TM1757 DEC05

**TECHNICAL MANUAL**



**JOHN DEERE**

North American Version  
Litho in U.S.A.



# INTRODUCTION

---

---

## Manual Description

This technical manual is written for an experienced technician and contains sections that are specifically for this product. It is a part of a total product support program.

The manual is organized so that all the information on a particular system is kept together. The order of grouping is as follows:

- Table of Contents
- Specifications and Information
- Identification Numbers
- Tools and Materials
- Component Location
- Schematics and Harnesses
- Theory of Operation
- Operation and Diagnostics
- Diagnostics
- Tests and Adjustments
- Repair
- Other

**NOTE: Depending on the particular section or system being covered, not all of the above groups may be used.**

The bleed tabs for the pages of each section will align with the sections listed on this page. Page numbering is consecutive from the beginning of the Safety section through the last section.

We appreciate your input on this manual. If you find any errors or want to comment on the layout of the manual please contact us.

**Safety**

**Specifications and Information**

**Gas Engine**

**Diesel Engine**

**Electrical**

**Power Train**

**Hydraulics**

**Steering**

**Brakes**

**Attachments**

**Miscellaneous**

All information, illustrations and specifications in this manual are based on the latest information at the time of publication. The right is reserved to make changes at any time without notice.

COPYRIGHT© 2005  
Deere & Co.  
John Deere Worldwide Commercial and  
Consumer Equipment Division  
All rights reserved  
Previous Editions  
COPYRIGHT© 2003, 2004, 2005



# SAFETY

## Recognize Safety Information



MIF

This is the safety-alert symbol. When you see this symbol on your machine or in this manual, be alert to the potential for personal injury.

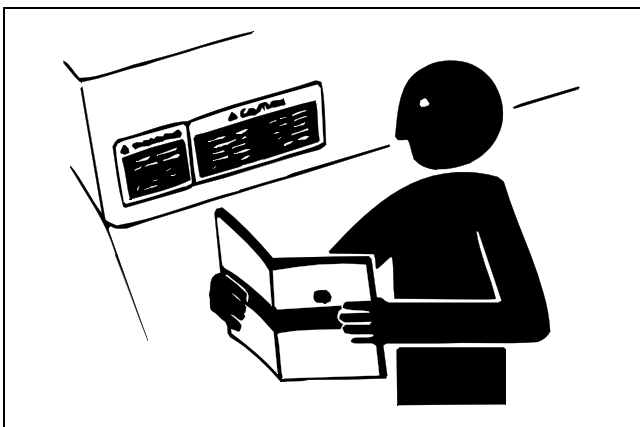
Follow recommended precautions and safe servicing practices.

## Understand Signal Words

A signal word - DANGER, WARNING, or CAUTION - is used with the safety-alert symbol. DANGER identifies the most serious hazards.

DANGER or WARNING safety signs are located near specific hazards. General precautions are listed on CAUTION safety signs. CAUTION also calls attention to safety messages in this manual.

## Replace Safety Signs

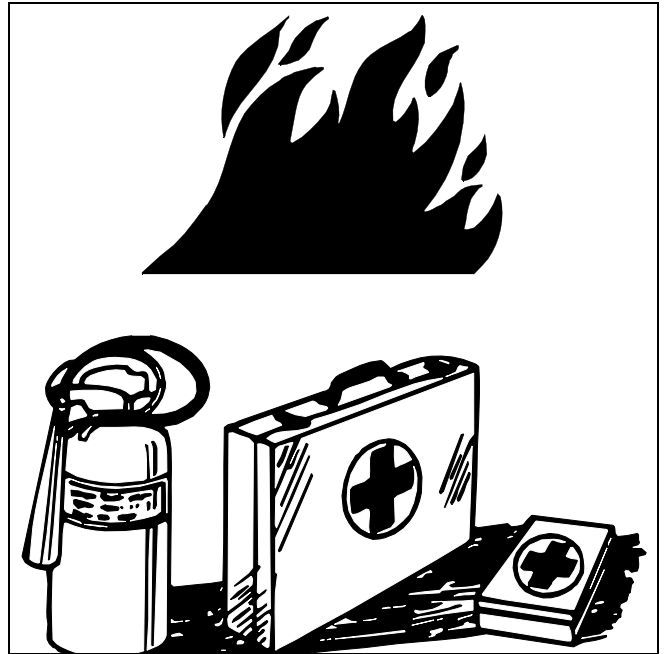


MIF

Replace missing or damaged safety signs. See the machine operator's manual for correct safety sign placement.

## Handle Fluids Safely - Avoid Fires

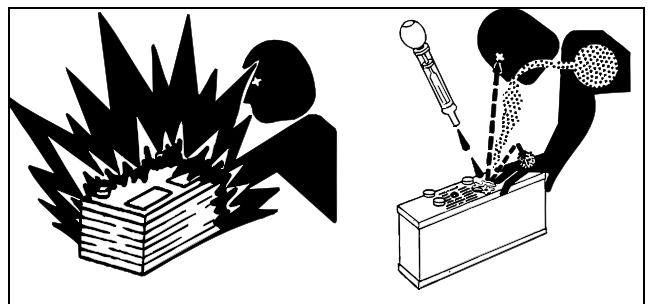
### Be Prepared For Emergencies



MIF

- When you work around fuel, do not smoke or work near heaters or other fire hazards.
- Store flammable fluids away from fire hazards. Do not incinerate or puncture pressurized containers.
- Make sure machine is clean of trash, grease, and debris.
- Do not store oily rags; they can ignite and burn spontaneously.
- Be prepared if a fire starts.
- Keep a first aid kit and fire extinguisher handy.
- Keep emergency numbers for doctors, ambulance service, hospital, and fire department near your telephone.

## Use Care In Handling and Servicing Batteries



MIF

# SAFETY

## Prevent Battery Explosions

- Keep sparks, lighted matches, and open flame away from the top of battery. Battery gas can explode.
- Never check battery charge by placing a metal object across the posts. Use a volt-meter or hydrometer.
- Do not charge a frozen battery; it may explode. Warm battery to 16°C (60°F).

## Prevent Acid Burns

- Sulfuric acid in battery electrolyte is poisonous. It is strong enough to burn skin, eat holes in clothing, and cause blindness if splashed into eyes.

### Avoid acid burns by:

1. Filling batteries in a well-ventilated area.
2. Wearing eye protection and rubber gloves.
3. Avoiding breathing fumes when electrolyte is added.
4. Avoiding spilling or dripping electrolyte.
5. Use proper jump start procedure.

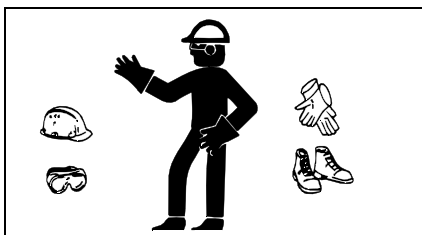
### If you spill acid on yourself:

1. Flush your skin with water.
2. Apply baking soda or lime to help neutralize the acid.
3. Flush your eyes with water for 10 - 15 minutes.
4. Get medical attention immediately.

### If acid is swallowed:

1. Drink large amounts of water or milk.
2. Then drink milk of magnesia, beaten eggs, or vegetable oil.
3. Get medical attention immediately.

## Wear Protective Clothing



MIF

Wear close fitting clothing and safety equipment appropriate to the job.

Prolonged exposure to loud noise can cause impairment or loss of hearing. Wear a suitable hearing protective device such as earmuffs or earplugs to protect against objectionable or uncomfortable loud noises.

Operating equipment safely requires the full attention of the operator. Do not wear radio or music headphones while operating machine.

## Use Care Around High-Pressure Fluid Lines

### Avoid High-Pressure Fluids



MIF

Escaping fluid under pressure can penetrate the skin causing serious injury.

Avoid injury from escaping fluid under pressure by stopping the engine and relieving pressure in the system before disconnecting or connecting hydraulic or other lines. Tighten all connections before applying pressure.

Search for leaks with a piece of cardboard. Protect hands and body from high pressure fluids.

If an accident occurs, see a doctor immediately. Any fluid injected into the skin must be surgically removed within a few hours or gangrene may result. Doctors unfamiliar with this type of injury should reference a knowledgeable medical source. Such information is available from Deere & Company Medical Department in Moline, Illinois, U.S.A.

### Avoid Heating Near Pressurized Fluid Lines

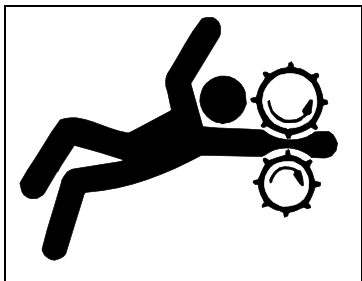


MIF

Flammable spray can be generated by heating near pressurized fluid lines, resulting in severe burns to yourself and bystanders. Do not heat by welding, soldering, or using a torch near pressurized fluid lines or other flammable materials. Pressurized lines can be accidentally cut when heat goes beyond the immediate flame area.

# SAFETY

## Service Machines Safely



MIF

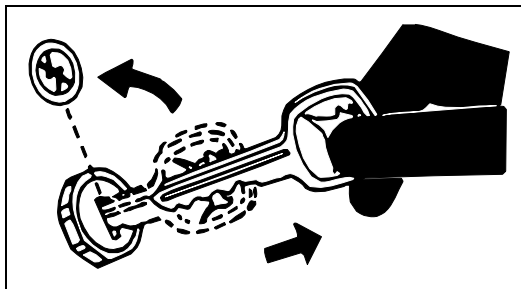
Tie long hair behind your head. Do not wear a necktie, scarf, loose clothing, or necklace when you work near machine tools or moving parts. If these items were to get caught, severe injury could result.

Remove rings and other jewelry to prevent electrical shorts and entanglement in moving parts.

## Use Proper Tools

Use tools appropriate to the work. Makeshift tools and procedures can create safety hazards. Use power tools only to loosen threaded parts and fasteners. For loosening and tightening hardware, use the correct size tools. Do not use U.S. measurement tools on metric fasteners. Avoid bodily injury caused by slipping wrenches. Use only service parts meeting John Deere specifications.

## Park Machine Safely

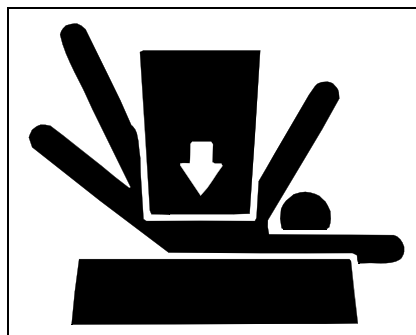


MIF

### Before working on the machine:

1. Lower all equipment to the ground.
2. Stop the engine and remove the key.
3. Disconnect the battery ground strap.
4. Hang a "Do Not Operate" tag in operator station.

## Support Machine Properly and Use Proper Lifting Equipment



MIF

If you must work on a lifted machine or attachment, securely support the machine or attachment.

Do not support the machine on cinder blocks, hollow tiles, or props that may crumble under continuous load. Do not work under a machine that is supported solely by a jack. Follow recommended procedures in this manual.

Lifting heavy components incorrectly can cause severe injury or machine damage. Follow recommended procedure for removal and installation of components in the manual.

## Work In Clean Area

### Before starting a job:

1. Clean work area and machine.
2. Make sure you have all necessary tools to do your job.
3. Have the right parts on hand.
4. Read all instructions thoroughly; do not attempt shortcuts.

## Using High Pressure Washers

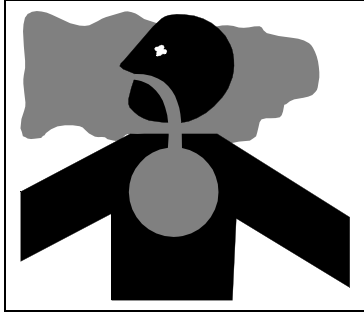
Directing pressurized water at electronic/electrical components or connectors, bearings, hydraulic seals, fuel injection pumps or other sensitive parts and components may cause product malfunctions. Reduce pressure and spray at a 45 to 90 degree angle.

## Illuminate Work Area Safely

Illuminate your work area adequately but safely. Use a portable safety light for working inside or under the machine. Make sure the bulb is enclosed by a wire cage. The hot filament of an accidentally broken bulb can ignite spilled fuel or oil.

# SAFETY

## Work In Ventilated Area



MIF

Engine exhaust fumes can cause sickness or death. If it is necessary to run an engine in an enclosed area, remove the exhaust fumes from the area with an exhaust pipe extension.

If you do not have an exhaust pipe extension, open the doors and get outside air into the area.

## Warning: California Proposition 65 Warning

Gasoline engine exhaust from this product contains chemicals known to the State of California to cause cancer, birth defects, or other reproductive harm.

Diesel engine exhaust and some of its constituents are known to the State of California to cause cancer, birth defects, and other reproductive harm.

## Remove Paint Before Welding or Heating

Avoid potentially toxic fumes and dust. Hazardous fumes can be generated when paint is heated by welding, soldering, or using a torch. Do all work outside or in a well ventilated area. Dispose of paint and solvent properly. Remove paint before welding or heating: If you sand or grind paint, avoid breathing the dust. Wear an approved respirator. If you use solvent or paint stripper, remove stripper with soap and water before welding. Remove solvent or paint stripper containers and other flammable material from area. Allow fumes to disperse at least 15 minutes before welding or heating.

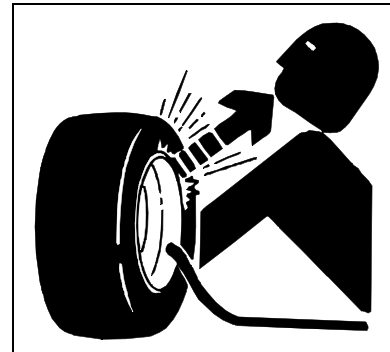
## Avoid Harmful Asbestos Dust

Avoid breathing dust that may be generated when handling components containing asbestos fibers. Inhaled asbestos fibers may cause lung cancer.

Components in products that may contain asbestos fibers are brake pads, brake band and lining assemblies, clutch plates, and some gaskets. The asbestos used in these components is usually found in a resin or sealed in some way. Normal handling is not hazardous as long as airborne dust containing asbestos is not generated.

Avoid creating dust. Never use compressed air for cleaning. Avoid brushing or grinding material containing asbestos. When servicing, wear an approved respirator. A special vacuum cleaner is recommended to clean asbestos. If not available, apply a mist of oil or water on the material containing asbestos. Keep bystanders away from the area.

## Service Tires Safely



MIF

Explosive separation of a tire and rim parts can cause serious injury or death.

Do not attempt to mount a tire unless you have the proper equipment and experience to perform the job.

Always maintain the correct tire pressure. Do not inflate the tires above the recommended pressure. Never weld or heat a wheel and tire assembly. The heat can cause an increase in air pressure resulting in a tire explosion. Welding can structurally weaken or deform the wheel.

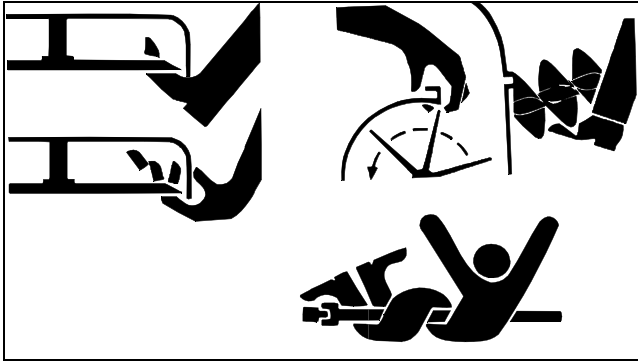
When inflating tires, use a clip-on chuck and extension hose long enough to allow you to stand to one side and not in front of or over the tire assembly. Use a safety cage if available.

Check wheels for low pressure, cuts, bubbles, damaged rims or missing lug bolts and nuts.



# SAFETY

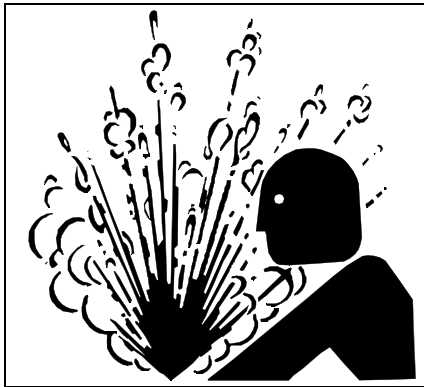
## Avoid Injury From Rotating Blades, Augers and PTO Shafts



MIF

Keep hands and feet away while machine is running. Shut off power to service, lubricate or remove mower blades, augers or PTO shafts.

## Service Cooling System Safely

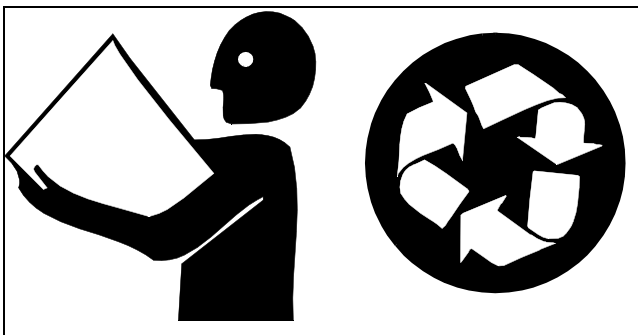


MIF

Explosive release of fluids from pressurized cooling system can cause serious burns.

Shut off machine. Only remove filler cap when cool enough to touch with bare hands. Slowly loosen cap to first stop to relieve pressure before removing completely.

## Handle Chemical Products Safely



MIF

Direct exposure to hazardous chemicals can cause serious injury. Potentially hazardous chemicals used with John Deere equipment include such items as lubricants, coolants, paints, and adhesives.

A Material Safety Data Sheet (MSDS) provides specific details on chemical products: physical and health hazards, safety procedures, and emergency response techniques. Check the MSDS before you start any job using a hazardous chemical. That way you will know exactly what the risks are and how to do the job safely. Then follow procedures and recommended equipment.

## Dispose Of Waste Properly

Improperly disposing of waste can threaten the environment and ecology. Potentially harmful waste used with John Deere equipment include such items as oil, fuel, coolant, brake fluid, filters, and batteries. Use leakproof containers when draining fluids. Do not use food or beverage containers that may mislead someone into drinking from them. Do not pour waste onto the ground, down a drain, or into any water source. Inquire on the proper way to recycle or dispose of waste from your local environmental or recycling center, or from your John Deere dealer.

## Live With Safety



MIF

Before returning machine to customer, make sure machine is functioning properly, especially the safety systems. Install all guards and shields.

# SAFETY

---

---



# SPECIFICATIONS AND INFORMATION TABLE OF CONTENTS

---

## Table of Contents

<b>Specifications</b> .....	<b>9</b>
General Vehicle Specifications.....	9
<b>Repair Information</b> .....	<b>12</b>
Metric Fastener Torque Values .....	12
Metric Fastener Torque Values - Grade 7....	13
Inch Fastener Torque Values .....	14
O-Ring Seal Service Recommendations.....	15
<b>Fuel</b> .....	<b>19</b>
Using Proper Fuel .....	19
<b>Oils &amp; Lubricants</b> .....	<b>20</b>
Engine Oil .....	20
Hydrostatic Transmission and Hydraulic Oil .....	20
Grease.....	21
Alternative Lubricants.....	21
Synthetic Lubricants .....	21
Lubricant Storage .....	21
Mixing of Lubricants .....	21
Oil Filters .....	22
<b>Coolant Specifications</b> .....	<b>22</b>
Engine Coolant.....	22
Engine Coolant Drain Interval .....	23
<b>Identification Numbers</b> .....	<b>24</b>
Machine Identification Number Locations ....	24
<b>Operational Checkout</b> .....	<b>25</b>
Interlock System Operation .....	25
General Information.....	26
Diesel Engine Air Filter Restriction Indicator Check .....	26
Hydraulic Reservoir Oil Level Check.....	26
Hydraulic Oil Filter Restriction Indicator Check .....	27
Start Circuit Check .....	28
Electronic Control Module Check .....	28

# **SPECIFICATIONS AND INFORMATION TABLE OF CONTENTS**

---

---



# SPECIFICATIONS AND INFORMATION SPECIFICATIONS

---

## Specifications

### General Vehicle Specifications

*NOTE: Specifications and design subject to change without notice.*

#### Gasoline Engine

Make.....	Kawasaki
Type.....	4 Cycle, V-Twin
Model.....	FD620D
Displacement.....	617 mL (37.7 cu in.)
Aspiration.....	Natural
Cooling System.....	Liquid cooled
Cooling System Capacity.....	3.5 L (3.7 qt)
Lubrication.....	Full pressure
Engine Oil Capacity (With Filter).....	1.9 L (2.0 qt)
Oil Filter.....	Replaceable, full flow
Valving.....	Overhead valves
Air Cleaner.....	Paper element with foam pre-cleaner
Bore.....	79 mm (3.11 in.)
Stroke.....	68 mm (2.68 in.)
Compression Ratio.....	9.0:1
Slow Idle.....	1550 ± 100 rpm
Fast Idle.....	3400 ± 50 rpm

#### Fuel System - Gasoline Engine

Fuel Tank Location.....	Behind operator seat
Fuel Tank Capacity.....	32.2 L (8.5 gal)
Fuel (Minimum Octane).....	Unleaded gasoline, 87 octane
Fuel Delivery.....	Electric fuel pump
Carburetor.....	Float-type, down draft
Fuel Filter.....	Replaceable element
Gasoline/Alcohol Blends.....	Up to 10% Ethyl Alcohol/90% Unleaded (by volume)
Gasoline/Ether Blends.....	Up to 15% MTBE/85% Unleaded (by volume)
Fuel Shutoff Solenoid.....	Below carburetor float bowl

# SPECIFICATIONS AND INFORMATION SPECIFICATIONS

## Diesel Engine

Make.....	Yanmar
Type.....	.4 Cycle, 3 cylinder, in-line
Model.....	3TNE68
Displacement.....	784 mL (47.8 cu in.)
Aspiration.....	Natural
Cooling System.....	Liquid cooled
Cooling System Capacity.....	3.5 L (3.7 qt)
Lubrication.....	Full pressure
Engine Oil Capacity (With Filter).....	2.2 L (2.3 qt)
Oil Filter.....	Replaceable, full flow
Valving.....	Overhead valves
Air Cleaner.....	Semi-cyclone, dry type duel stage
Bore.....	68 mm (2.68 in.)
Stroke.....	72 mm (2.83 in.)
Compression Ratio.....	23:1
Slow Idle.....	1450 ± 100 rpm
Fast Idle.....	3225 ± 50 rpm

## Fuel System - Diesel Engine

Fuel Tank Location.....	Behind operator seat
Fuel Tank Capacity.....	32.2 L (8.5 gal)
Fuel (Above 4°C [40°F]).....	Grade No. 2-D
Fuel (Below 4°C [40°F]).....	Grade No. 1-D
Fuel (All Temperatures - Above 1500 M [5000 ft]).....	Grade No. 1-D
Fuel Centane (Minimum).....	45
Fuel Delivery.....	Mechanical fuel pump

## Drive Train

Type.....	Hydrostatic
Drive Wheels.....	Front
Pump Drive.....	Flex coupler on engine flywheel-to-driven coupler on pump shaft
Travel Speed (Forward).....	0-12.9 km/h (0-8.0 mph)
Travel Speed (Forward - Mowing).....	0-6.4 km/h (0-4.0 mph)
Travel Speed (Reverse).....	0-7.1 km/h (0-4.4 mph)

## Hydraulics

Hydraulic Reservoir Oil Capacity.....	20.4 L (5.4 gal)
Hydraulic System Oil Capacity.....	28.8 L (7.6 gal)
Pump Type - 2500, 2500A.....	Triple gear
Pump Type - 2500E.....	Double gear
Pump Drive.....	Driven coupler from hydrostatic pump shaft
Systems.....	Mow (reel drive), lift, and steering
Cutting Unit Lift.....	Front and rear cylinder
Oil Cooler.....	Standard - all except "E" model
Mow/Backlap Valve - 2500 and 2500A.....	Electro-hydraulic
Mow/Backlap Function - 2500E.....	Electrically controlled
Lift Control Valve.....	Electro-hydraulic

# SPECIFICATIONS AND INFORMATION SPECIFICATIONS

---

## Steering

Type ..... Power, hydraulic, rear wheel

## Brakes

Main Braking ..... Hydrostatic (dynamic)

Park Brake ..... Dual disc

Park Brake Actuation ..... Pedal

## Cutting Units

Number of Cutting Units ..... 3

Cutting Unit Drive - 2500 and 2500A ..... Direct hydraulic motors

Cutting Unit Drive - 2500E ..... 48V Electric with controllers

Reel Diameter ..... 12.7 cm (5 in.)

Number of Blades (Standard) ..... 11

Number of Blades (Optional) ..... 7

Clip Frequency @ 6.4 km/h (4.0 mph) ..... 4.44 mm (0.175 in.)

Front Rollers ..... Optional - smooth or grooved

Bed Knife Adjustment ..... Bed knife-to-reel

Height-of-Cut<sup>1</sup> ..... 2.4-22 mm (3/32-7/8 in.)

## Tires

Smooth - Front and Rear ..... 18 x 10.50-10, 2 Ply

Smooth - Front and Rear ..... 20 x 10.00-10, 2 Ply

Soft Trac - Front and Rear ..... 20 x 10.00-10, 4-Ply

## Weights and Dimensions

### Weight

Machine (Gasoline Powered) ..... 576 kg (1270 lb)

Machine (Diesel Powered) ..... 626 kg (1380 lb)

### Overall Width

Without Cutting Reels ..... 1294.9 mm (51 in.)

With Cutting Reels ..... 1694.8 mm (66.7 in.)

With Optional Grass Catchers ..... 1847.9 mm (72.75 in.)

### Overall Length

Without Cutting Reels ..... 2272 mm (89.5 in.)

With Cutting Reels ..... 2272 mm (89.5 in.)

With Optional Grass Catchers ..... 2630 mm (103.5 in.)

Overall Height ..... 1940.3 mm (76.5 in.)

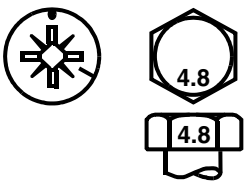
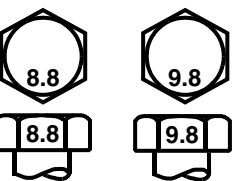

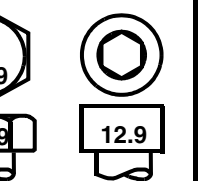




---

1. Minimum 2 mm (0.080 in.) with ultra low cut tournament bedknife.

# SPECIFICATIONS AND INFORMATION REPAIR INFORMATION

## Repair Information

## Metric Fastener Torque Values

<b>Property Class and Head Markings</b>	4.8 	8.8      9.8 	10.9 	12.9 
<b>Property Class and Nut Markings</b>	5 	10 	10 	12 

MIF (TS1163)

SIZE	Class 4.8		Class 8.8 or 9.8				Class 10.9				Class 12.9					
	Lubricated <sup>1</sup>		Dry <sup>a</sup>		Lubricated <sup>a</sup>		Dry <sup>a</sup>		Lubricated <sup>a</sup>		Dry <sup>a</sup>		Lubricated <sup>a</sup>		Dry <sup>a</sup>	
	N•m	lb-ft	N•m	lb-ft	N•m	lb-ft	N•m	lb-ft	N•m	lb-ft	N•m	lb-ft	N•m	lb-ft	N•m	lb-ft
M6	4.8	3.5	6	4.5	9	6.5	11	8.5	13	9.5	17	12	15	11.5	19	14.5
M8	12	8.5	15	11	22	16	28	20	32	24	40	30	37	28	47	35
M10	23	17	29	21	43	32	55	40	63	47	80	60	75	55	95	70
M12	40	29	50	37	75	55	95	70	110	80	140	105	130	95	165	120
M14	63	47	80	60	120	88	150	110	175	130	225	165	205	150	260	109
M16	100	73	125	92	190	140	240	175	275	200	350	225	320	240	400	300
M18	135	100	175	125	260	195	330	250	375	275	475	350	440	325	560	410
M20	190	140	240	180	375	275	475	350	530	400	675	500	625	460	800	580
M22	260	190	330	250	510	375	650	475	725	540	925	675	850	625	1075	800
M24	330	250	425	310	650	475	825	600	925	675	1150	850	1075	800	1350	1000
M27	490	360	625	450	950	700	1200	875	1350	1000	1700	1250	1600	1150	2000	1500
M30	675	490	850	625	1300	950	1650	1200	1850	1350	2300	1700	2150	1600	2700	2000
M33	900	675	1150	850	1750	1300	2200	1650	2500	1850	3150	2350	2900	2150	3700	2750
M36	1150	850	1450	1075	2250	1650	2850	2100	3200	2350	4050	3000	3750	2750	4750	3500

1. "Lubricated" means coated with a lubricant such as engine oil, or fasteners with phosphate and oil coatings. "Dry" means plain or zinc plated (yellow dichromate - Specification JDS117) without any lubrication.

DO NOT use these hand torque values if a different torque value or tightening procedure is given for a specific application. Torque values listed are for general use only and include a ±10% variance factor. Check tightness of fasteners periodically. DO NOT use air powered wrenches.

Shear bolts are designed to fail under predetermined loads. Always replace shear bolts with identical grade.

Fasteners should be replaced with the same class. Make sure fastener threads are clean and that you properly start

thread engagement. This will prevent them from failing when tightening.

When bolt and nut combination fasteners are used, torque values should be applied to the NUT instead of the bolt head.

Tighten toothed or serrated-type lock nuts to the full torque value.

Reference: JDS-G200.



# SPECIFICATIONS AND INFORMATION REPAIR INFORMATION

---

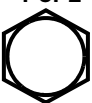
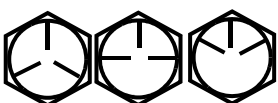
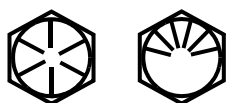





---

## Metric Fastener Torque Values - Grade 7

Size	Steel or Gray Iron Torque		Aluminum Torque	
	N•m	lb-ft	N•m	lb-ft
M6	11	8	8	6
M8	24	18	19	14
M10	52	38	41	30
M12	88	65	70	52
M14	138	102	111	82
M16	224	165	179	132

# SPECIFICATIONS AND INFORMATION REPAIR INFORMATION

## Inch Fastener Torque Values

<b>SAE Grade and Head Markings</b>	1 or 2 <sup>a</sup> No Marks 	5    5.1    5.2 	8    8.2 
<b>SAE Grade and Nut Markings</b>	2 No Marks 	5  	8  

MIF (TS1162)

SIZE	Grade 1				Grade 2 <sup>1</sup>				Grade 5, 5.1 or 5.2				Grade 8 or 8.2			
	Lubricated <sup>2</sup>		Dry <sup>b</sup>		Lubricated <sup>b</sup>		Dry <sup>b</sup>		Lubricated <sup>b</sup>		Dry <sup>b</sup>		Lubricated <sup>b</sup>		Dry <sup>b</sup>	
	N•m	lb-ft	N•m	lb-ft	N•m	lb-ft	N•m	lb-ft	N•m	lb-ft	N•m	lb-ft	N•m	lb-ft	N•m	lb-ft
1/4	3.7	2.8	4.7	3.5	6	4.5	7.5	5.5	9.5	7	12	9	13.5	10	17	12.5
5/16	7.7	5.5	10	7	12	9	15	11	20	15	25	18	28	21	35	26
3/8	14	10	17	13	22	16	27	20	35	26	44	33	50	36	63	46
7/16	22	16	28	20	35	26	44	32	55	41	70	52	80	58	100	75
1/2	33	25	42	31	53	39	67	50	85	63	110	80	120	90	150	115
9/16	48	36	60	45	75	56	95	70	125	90	155	115	175	130	225	160
5/8	67	50	85	62	105	78	135	100	170	125	215	160	215	160	300	225
3/4	120	87	150	110	190	140	240	175	300	225	375	280	425	310	550	400
7/8	190	140	240	175	190	140	240	175	490	360	625	450	700	500	875	650
1	290	210	360	270	290	210	360	270	725	540	925	675	1050	750	1300	975
1-1/8	470	300	510	375	470	300	510	375	900	675	1150	850	1450	1075	1850	1350
1-1/4	570	425	725	530	570	425	725	530	1300	950	1650	1200	2050	1500	2600	1950
1-3/8	750	550	950	700	750	550	950	700	1700	1250	2150	1550	2700	2000	3400	2550
1-1/2	1000	725	1250	925	990	725	1250	930	2250	1650	2850	2100	3600	2650	4550	3350

1. "Grade 2" applies for hex cap screws (not hex bolts) up to 152 mm (6-in.) long. "Grade 1" applies for hex cap screws over 152 mm (6-in.) long, and for all other types of bolts and screws of any length.

2. "Lubricated" means coated with a lubricant such as engine oil, or fasteners with phosphate and oil coatings. "Dry" means plain or zinc plated (yellow dichromate - Specification JDS117) without any lubrication.

DO NOT use these hand torque values if a different torque value or tightening procedure is given for a specific application. Torque values listed are for general use only and include a ±10% variance factor. Check tightness of fasteners periodically. DO NOT use air powered wrenches.

Shear bolts are designed to fail under predetermined loads. Always replace shear bolts with identical grade.

Fasteners should be replaced with the same grade. Make sure fastener threads are clean and that you properly start

thread engagement. This will prevent them from failing when tightening.

When bolt and nut combination fasteners are used, torque values should be applied to the NUT instead of the bolt head.

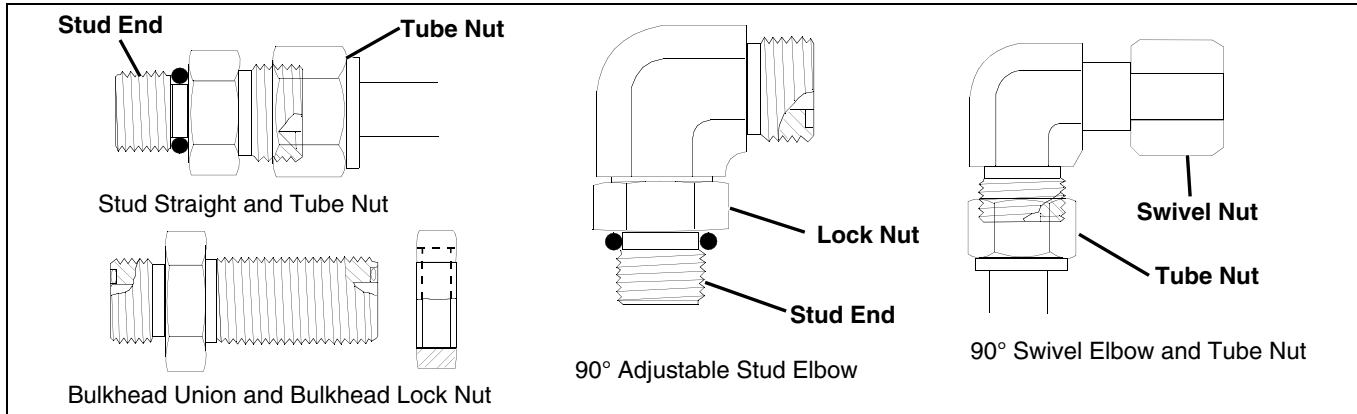
Tighten toothed or serrated-type lock nuts to the full torque value.

Reference: JDS-G200.

# SPECIFICATIONS AND INFORMATION REPAIR INFORMATION

## O-Ring Seal Service Recommendations

## Face Seal Fittings with Inch Stud End Torques



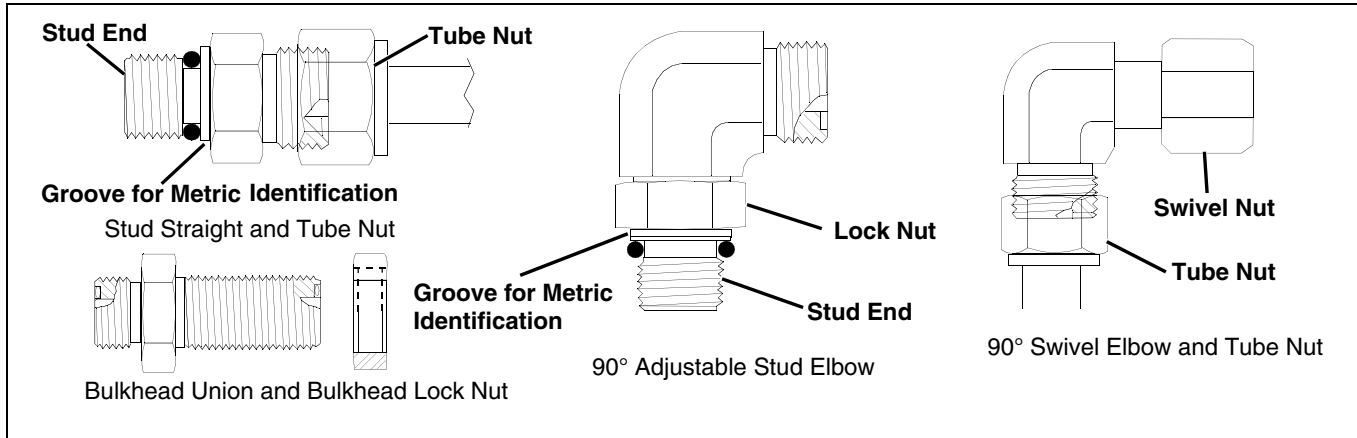
MIF

**NOTE: Torque tolerance is +15/-20%**

Nominal Tube OD/Hose ID				Face Seal Tube/Hose End					O-Ring Stud Ends		
Metric Tube OD	Inch Tube OD			Thread Size	Tube Nut/ Swivel Nut Torque		Bulkhead Lock Nut Torque		Thread Size	Straight Fitting of Lock Nut Torque	
mm	Dash Size	in.	mm	in.	N•m	lb-ft	N•m	lb-ft	in.	N•m	lb-ft
	-3	0.188	4.76						3/8-24	8	6
6	-4	0.250	6.35	9/16-18	16	12	12	9	7/16-20	12	9
8	-5	0.312	7.94						1/2-20	16	12
10	-6	0.375	9.52	11/16-16	24	18	24	18	9/16-18	24	18
12	-8	0.500	12.70	13/16-16	50	37	46	34	3/4-16	46	34
16	-10	0.625	15.88	1-14	69	51	62	46	7/8-14	62	46
	-12	0.750	19.05	1-3/16-12	102	75	102	75	1-1/16-12	102	75
22	-14	0.875	22.22	1-3/16-12	102	75	102	75	1-3/16-12	122	90
25	-16	1.000	25.40	1-7/16-12	142	105	142	105	1-5/16	142	105
32	-20	1.25	31.75	1-11/16-12	190	140	190	140	1-5/8-12	190	140
38	-24	1.50	38.10	2-12	217	160	217	160	1-7/8-12	217	160

# SPECIFICATIONS AND INFORMATION REPAIR INFORMATION

## Face Seal Fittings with Metric Stud End Torques



MIF

**NOTE: Torque tolerance is +15/-20%**

Nominal Tube OD/Hose ID				Face Seal Tube/Hose End						O-Ring Stud Ends, Straight Fitting or Lock Nut					
Metric Tube OD	Inch Tube OD			Thread Size	Hex Size	Tube Nut/ Swivel Nut Torque		Bulkhead Lock Nut Torque		Thread Size	Hex Size	Steel or Gray Iron Torque		Aluminum Torque	
	mm	Dash Size	in.			mm	in.	mm	N•m			lb-ft	N•m	lb-ft	mm
6	-4	0.250	6.35	9/16-18	17	16	12	12	9	M12X1.5	17	21	15.5	9	6.6
8	-5	0.312	7.94												
										M14X1.5	19	33	24	15	11
10	-6	0.375	9.52	11/16-16	22	24	18	24	18	M16X1.5	22	41	30	18	13
12	-8	0.500	12.70	13/16-16	24	50	37	46	34	M18X1.5	24	50	37	21	15
16	-10	0.625	15.88	1-14	30	69	51	62	46	M22X1.5	27	69	51	28	21
	-12	0.750	19.05	1-3/16-12	36	102	75	102	75	M27X2	32	102	75	46	34
22	-14	0.875	22.22	1-3/16-12	36	102	75	102	75	M30X2	36				
25	-16	1.000	25.40	1-7/16-12	41	142	105	142	105	M33X2	41	158	116	71	52
28										M38X2	46	176	130	79	58
32	-20	1.25	31.75	1-11/16-12	50	190	140	190	140	M42X2	50	190	140	85	63
38	-24	1.50	38.10	2-12	60	217	160	217	160	M48X2	55	217	160	98	72